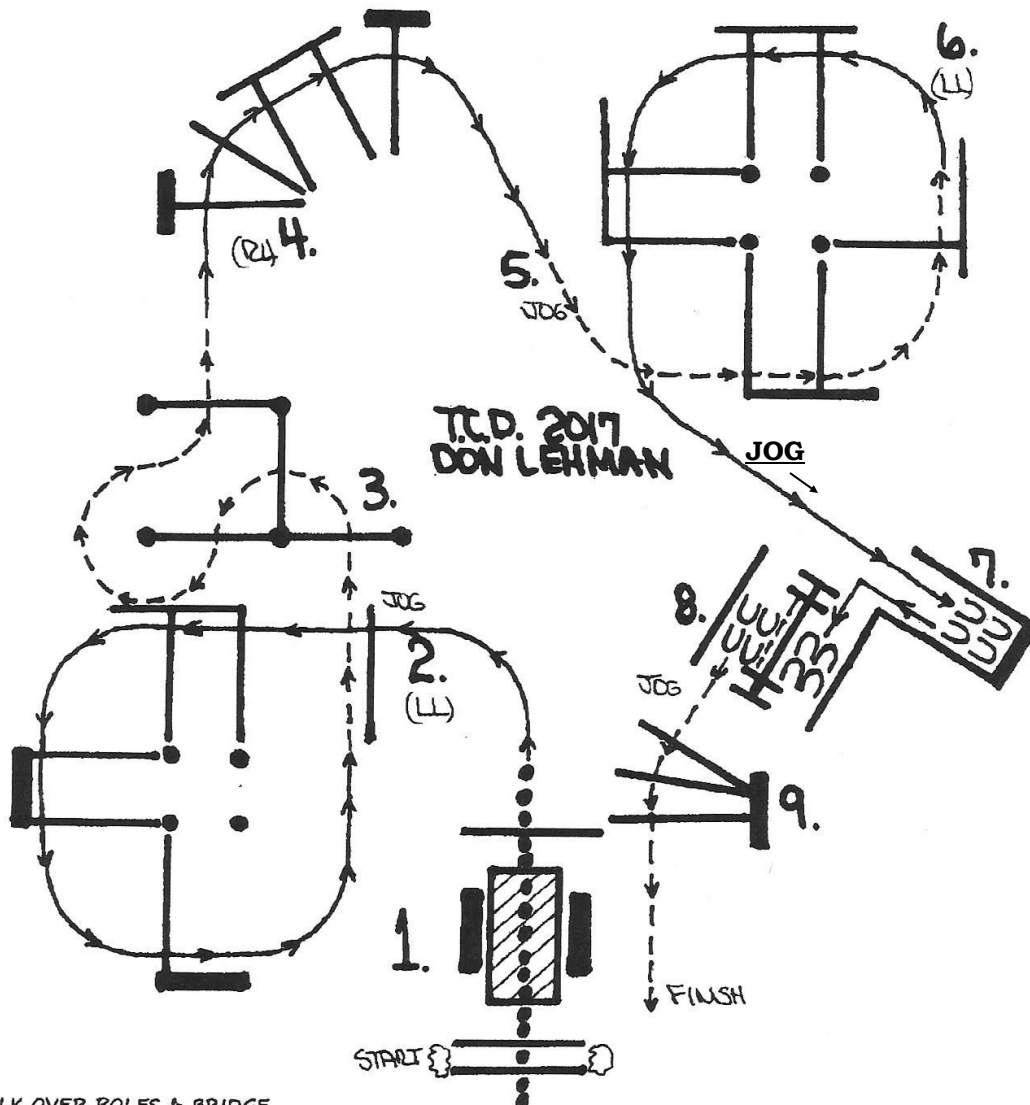


# Copper Country POR

## Trail

SUNDAY  
DEC. 31, 2017

312-JUNIOR HORSE  
314-AMATEUR SPB  
315-SPB  
316-YTH 18 + UNDER SPB  
217-YTH 13 + UNDER



1. WALK OVER POLES & BRIDGE
2. LOPE OVER POLES (LL)
3. JOG THRU SERPENTINE & OVER POLES
4. LOPE OVER POLES (RL)
5. DOWN TO JOG & OVER 3 POLES
6. LOPE OVER 4 POLES (LL) BREAK DOWN TO JOG & INTO CHUTE
7. BACK THRU POLES TO GATE
8. GATE:(LH) RIDE THRU OVER POLE CLOSE
9. JOG OVER 3 POLES