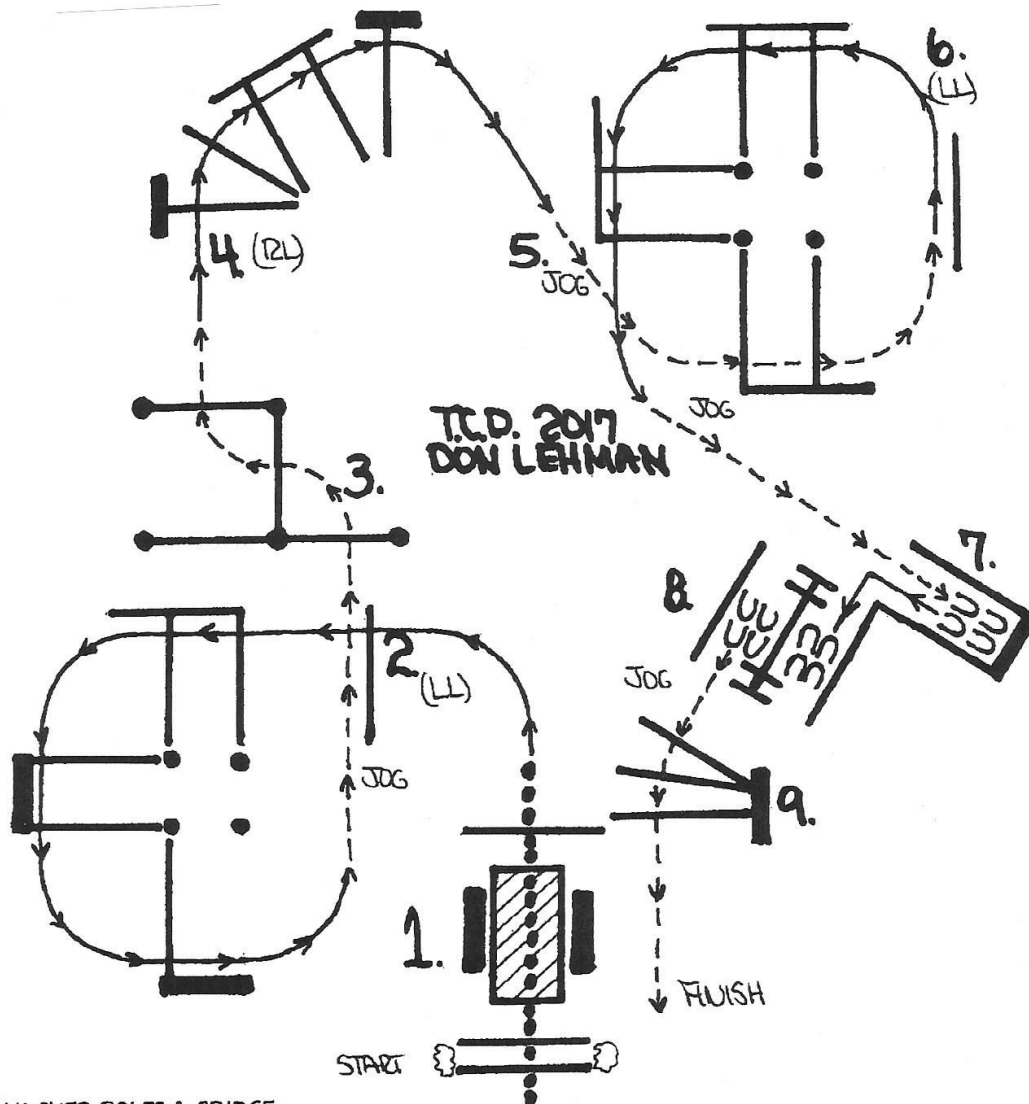


Copper Country POR

Trail

SUNDAY
DEC. 31, 2017

307-APHA GREEN HORSE
309-NOV. YTH.
310-NOV AMA



1. WALK OVER POLES & BRIDGE
2. LOPE OVER POLES (LL)
3. JOG THRU SERPENTINE & OVER POLES
4. LOPE OVER POLES (RL)
5. DOWN TO JOG & OVER 2 POLES
6. LOPE OVER 4 POLES (LL) BREAK DOWN TO JOG & INTO CHUTE
7. BACK THRU POLES TO GATE
8. GATE:(LH) RIDE THRU CLOSE
9. JOG OVER 3 POLES